

COATS®

12502D, 12503DV Wheel Balancer



Parts Identification

READ these instructions before placing unit in service KEEP these and other materials delivered with the unit in a binder near the machine for ease of reference by supervisors and operators.

HENNESSY INDUSTRIES, INC.

1601 J. P. Hennessy Drive, LaVergne, TN USA 37086-3565 615/641-7533 800/688-6359

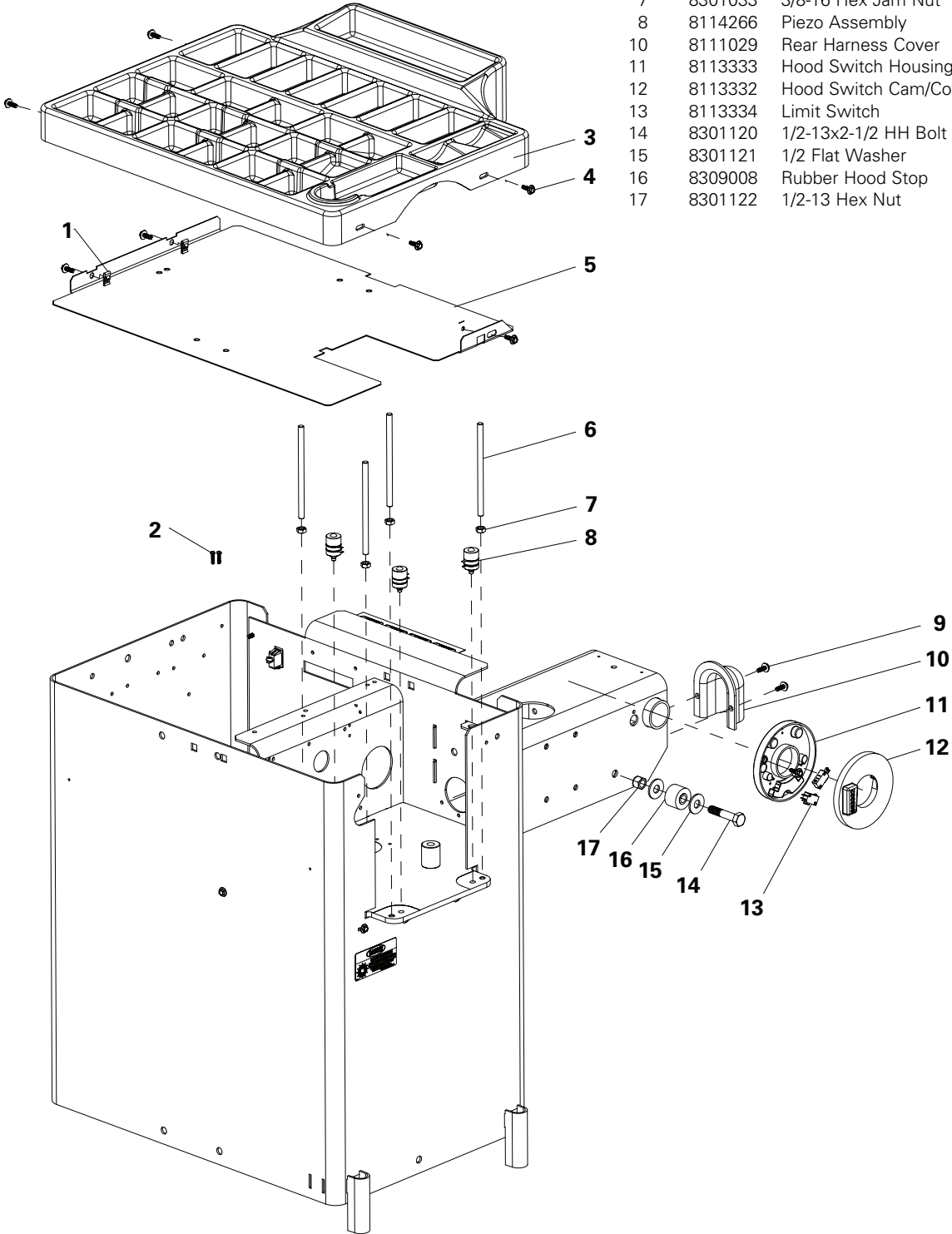
HENNESSY INDUSTRIES INC. Manufacturer of AMMCO®, COATS® and BADA® Automotive Service Equipment and Tools.

Manual Part No.: 8114308 08

Revision: 01/07

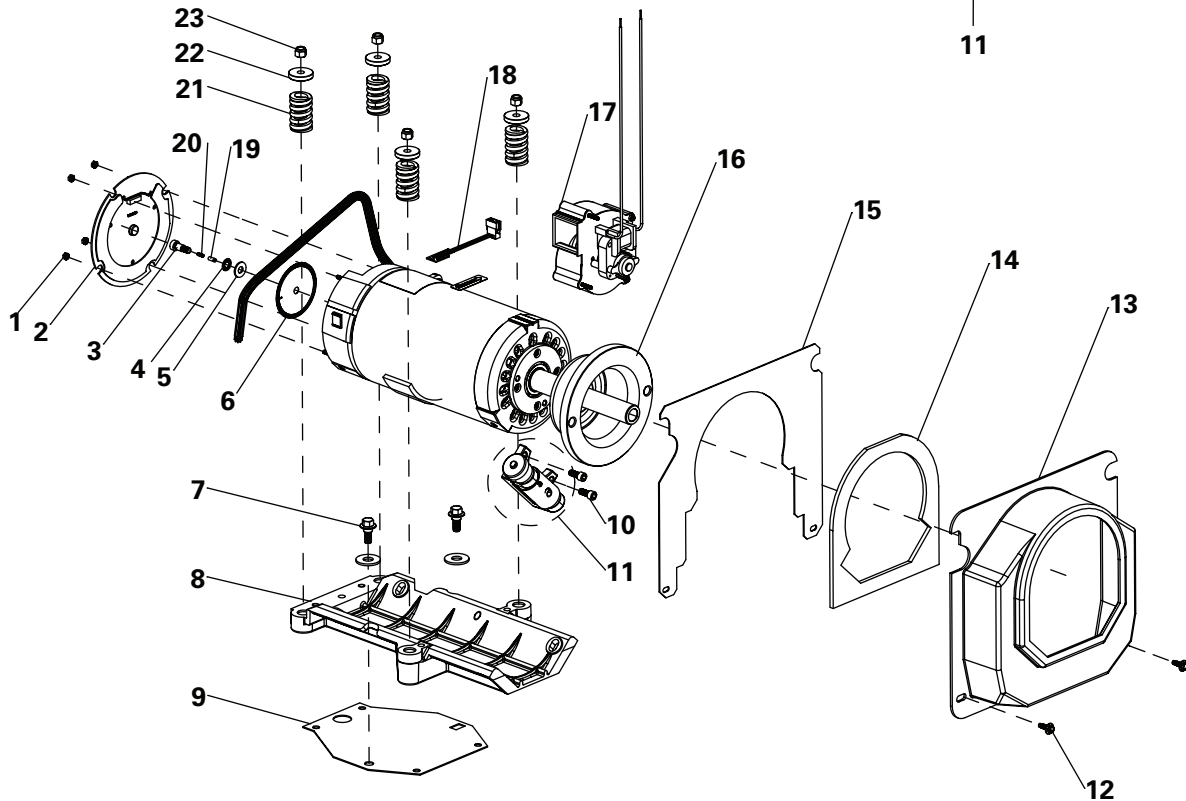
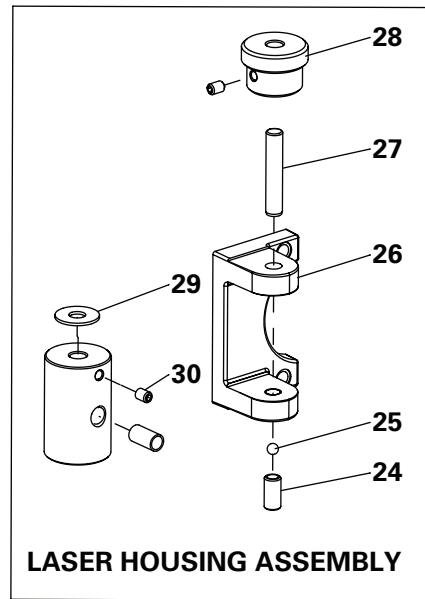
Chassis Assembly

ITEM	PART NO.	DESCRIPTION
1	8106304	1/4-20 Tinnerman Nut
2	8110560	#8-32x3/4 Screw
3	8111034	Weight Tray Assembly
4	8106301	1/4" Hex Self-Tap Screw
5	8111064	Weight Tray Shield
6	8108727	Threaded Rod
7	8301033	3/8-16 Hex Jam Nut
8	8114266	Piezo Assembly
10	8111029	Rear Harness Cover
11	8113333	Hood Switch Housing
12	8113332	Hood Switch Cam/Cover
13	8113334	Limit Switch
14	8301120	1/2-13x2-1/2 HH Bolt
15	8301121	1/2 Flat Washer
16	8309008	Rubber Hood Stop
17	8301122	1/2-13 Hex Nut



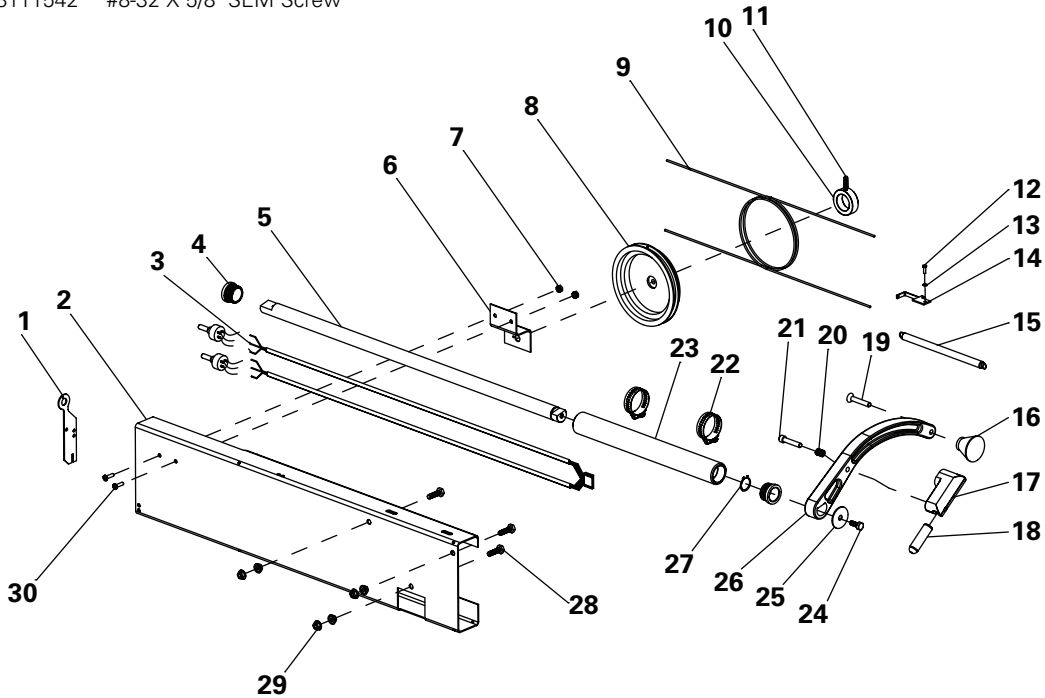
Motor Assembly

ITEM	PART NO.	DESCRIPTION
1	8112191	10-24 x .50 HHMS Screw
2	8308513	Rear End Bell Cover
3	8113559	Brush Holder
4	8104200	3/8 Lock, Internal Tooth Washer
5	8107635	5/16 Plain Washer
6	8308817	Rotary Shutter
7	8114151	Special Shoulder Bolt
8	8110430	Motor Cradle
9	8112182	Flex Plate
10	8182149	5/16 x 3/4 HHC Screw
11	8114326	Laser Housing Assembly
12	8106301	1/4" Hex Self-Tap Screw
13	8111552	Motor Shroud Assembly
14	8308536	Motor Gasket
15	8111308	Motor Cover Shield
16	8114346	Motor Replacement Kit
17	8114265	Fan Assembly, 220 VAC
18	8110923	Encoder Assembly
19	8113560	Carbon Bushing
20	8113561	Brush Spring
21	8307008	Piezo Spring
22	8308036	Piezo Spring Retainer
23	8301035	3/8-16 Nyloc Nut
24	8114243	Modified Screw
25	8182025	1/4" Ball
26	8114239	Laser Bracket
27	8114237	3/8 x 2 Dowel
28	8114241	Knob
29	8114242	Plastic Washer
30	902308	1/4" Set Screw

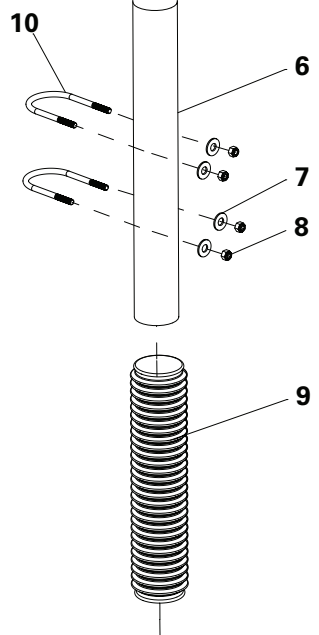
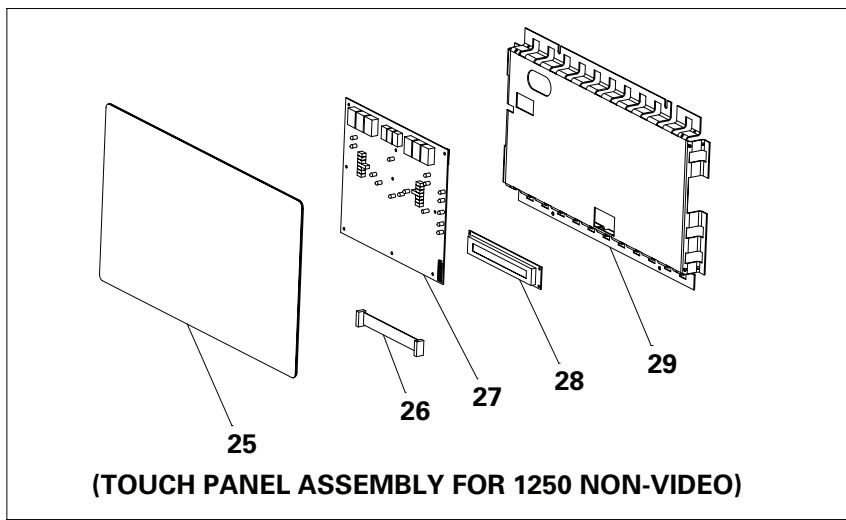
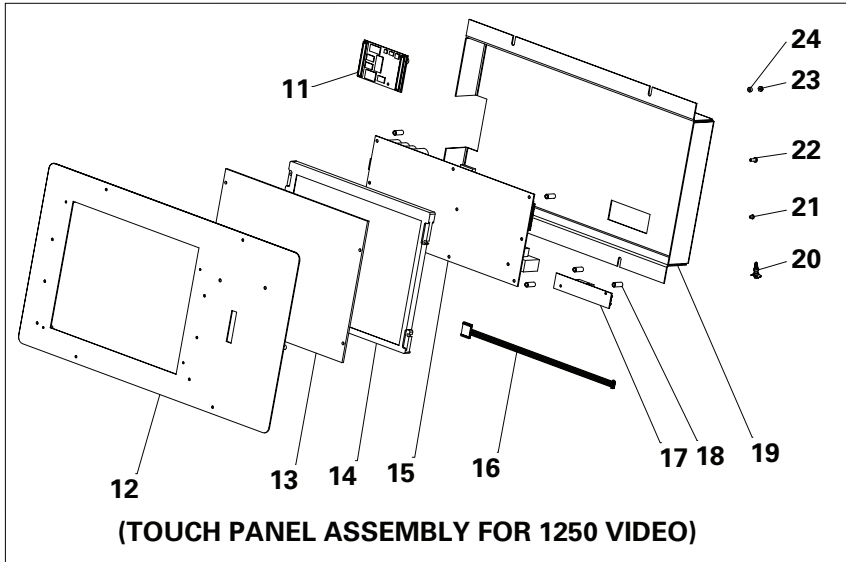
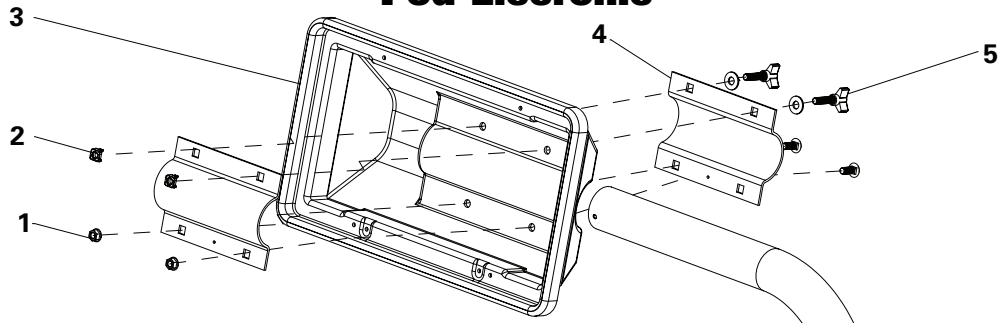


Distance Guage

ITEM	PART NO.	DESCRIPTION
1	8114254	A & D Pendulum
2	8114251	A & D Bracket
3	8114257	A & D Pots with Harness Assy
4	8114203	Distance Rod Bushing
5	80180018	A & D Rod
6	8114258	A & D Pot Bracket
7	8301084	#8-32 Kep Nut
8	8114327	Distance Pot Pulley
9	80180022	String
10	8113922	10-32 x 3/4 BHSCS
11	8112317	10-32 Keps Nut
12	80180020	Spring Bracket, 3MM Screw
13	80180021	Washer 3MM
14	80180019	String Bracket
15	80180023	Spring
16	8114253	Cone
17	8114376	Line Laser Holder
18	8114378	Line Laser
19	8111173	1/4-20 x 1-1/2 FHS Screw
20	8114380	Compression Spring
21	8114379	SHC 1/4-20 x 1-1/4 lg.Screw
22	8114264	Hose Clamp
23	8114255	A & D Tube
24	940802	6MM x 16MM HHC Screw
25	8111032	1/4 Fender Washer
26	8114373	Arm
27	903174	Retaining Ring
28	8114467	Hood Swith Adj. Bracket
29	8301143	1/4-20 Hex Nut
30	8111542	#8-32 X 5/8" SEM Screw



Pod Electronic

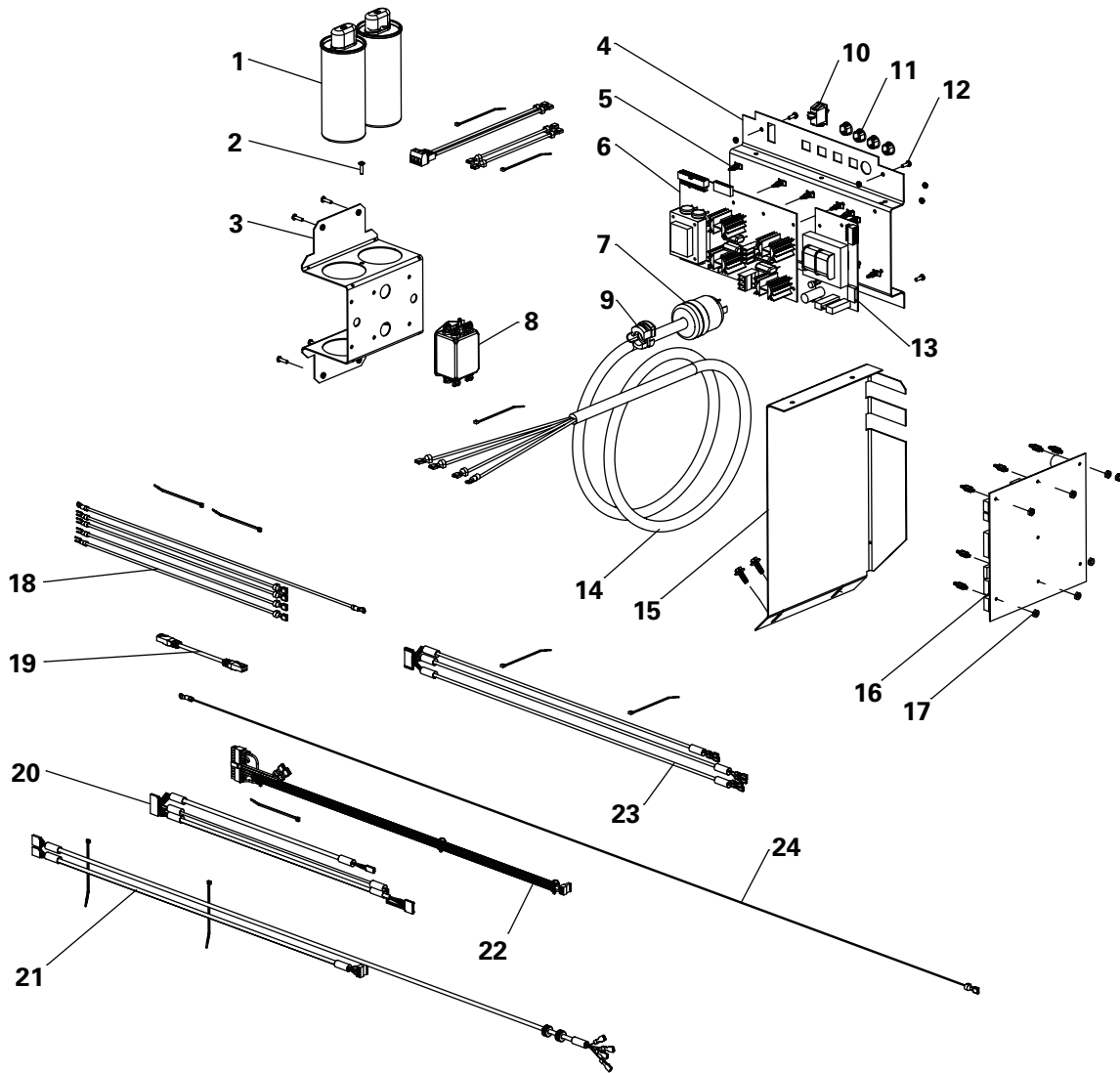


ITEM	PART NO.	DESCRIPTION
1	8111055	Nut, #6-32 Acorn
2	8143044	3/8-16 Tinnerman Nut
3	8111057-1	Pod Electronics Sub Assembly
4	8110795	Pod Mounting Bracket
5	8110823	3/8-16 Carriage Bolt
6	8110805	Support, Pod Tube
7	8301032	3/8 Flat Washer
8	8181183	5/16-18 Nyloc Nut
9	8110800	Pod Tube Cover
10	8110789	Bolt, 5/16-18 "U"
11	85000116	Single Board Computer
12	85000398	12503DV Touch Panel
13	85000393	Lexan Shield Kit
14	85000392	LCD Kit
15	85000049	LCD Driver 12503DV PCB

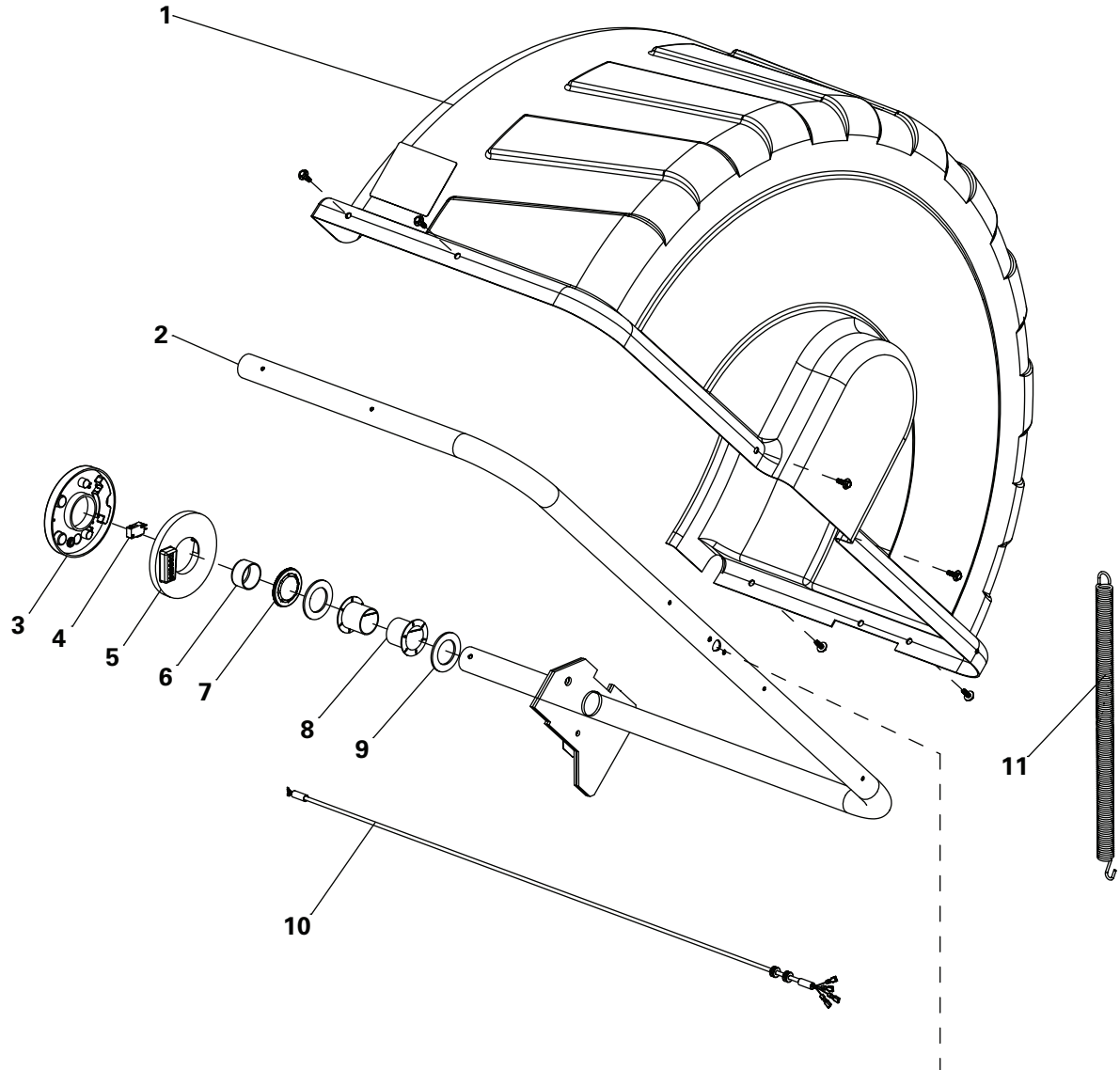
ITEM	PART NO.	DESCRIPTION
16	85000307	Inverter Cable Assembly
17	85000115	AC to DC Inverter
18	85000327	Aluminum Stand Off
19	85000306	EMC Shield
20	85000361	Snap-Lock Standoff
21	928487	4-40 x 3/16 Pan Hd. Screw
22	8301067	6-32 Phillip Hd. Screw
23	85000357	Nylok #4-40 Nut
24	85000356	Lexan Shield - LCD Screen
25	8114261	Touch Panel
26	8114313	VFD Cable
27	8114200	PCB Display
28	8114302	Vacuum Florescent Display
29	8113624	EMC Sheild, UL Model (Austr. Export)

Power Panel

ITEM	PART NO.	DESCRIPTION	ITEM	PART NO.	DESCRIPTION
1	8112356	Capacitor	14	8113101	Power Cord Assembly
2	8111542	#8-32 X 5/8" SEM Screw		8114417	Power Cord Assy (440 V Export)
3	8111860	Capacity Panel Assembly	15	8114184	Cover
4	8110821	Power Panel	16	8113907	Processor PCB
5	8112208	8-32 male, 3/8" Standoff	17	8301804	#10-32 Hex Nut
6	8114159	Motor Control PCB	18	8114420	Filter Wire Assembly (Austr. Export)
7	8305076	220V, 1 PH Plug	19	8114211	Cat 5, 2 Meter Lg. Cable
	8114410	440V, 3 PH Plug (Export)	20	8114260	Piezo Harness Assembly
8	8113845	EMI Line Filter (Austr Export)	21	8114217	Encoder Cable Assembly
9	8113102	Strain Relief	22	8114208	240 VAC Harness Assembly
10	8305802	ON/OFF Switch		8114420	440 VAC Harness Assy (Export)
11	928347	Hole Plug	23	8114430	Harness Assembly
12	8301082	#8-32x1/2 PHM Screw	24	8114212	Drain Wire Assembly
13	85000264	Power Supply Assembly			



Wheel Guard



ITEM	PART NO.	DESCRIPTION
1	8113620	Wheel Guard
2	8114319	Hood Bar W/C
3	8113333	Hood Switch Housing
4	8113334	Limit Switch
5	8113332	Hood Switch Cam/Cover
6	8109949	Hood Bar Cap
7	8109945	1-1/2" Retainer Washer
8	8307014	Flanged Nylon Bearing
9	8109944	Hood Bar Washer
10	8114262	Hood Switch Cable Assembly
11	8308062	Hood Spring
12	85000303	Sonar Bracket
13	85000304	Sonar Module
14	85000305	Sonar Cable Assembly

