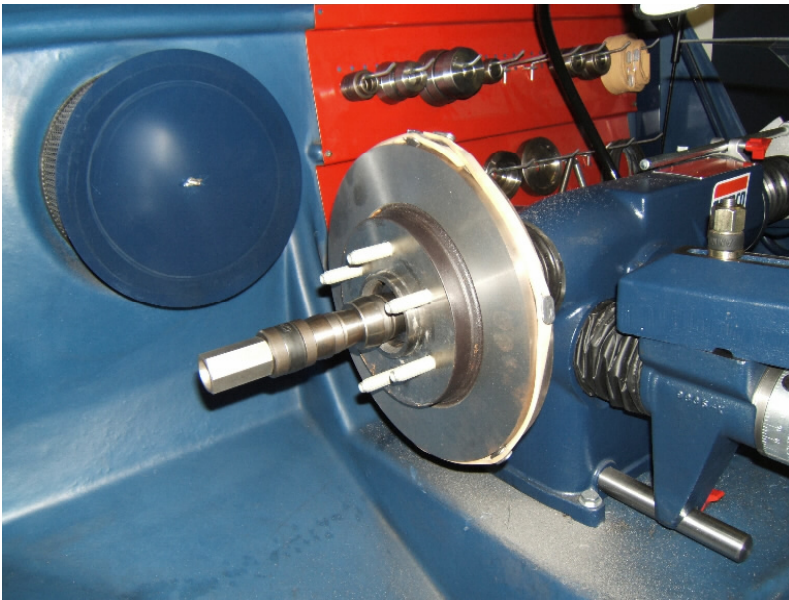


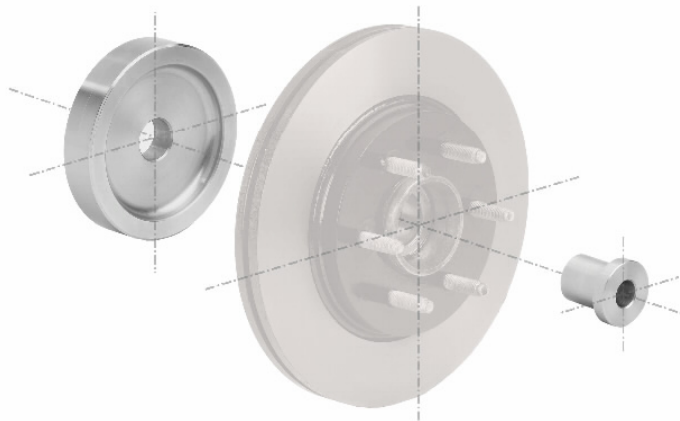
Ford F-150 4 x 2 Adapter



Ford F-150 rotor mounted on an Ammco 4000 Brake Lathe with F-150 4 x 2 Adapter Kit

Key Benefits

- Easy mount the F-150 hubbed rotor with pressed in bearing
- No need to bolt rotor/hub assembly to adapter
- Accurate mounting every time- assembly centers on the adapter the same as it does on the vehicle
- Fits any 1" arbor



Part Number	Description
95000010	Ford F-150 4x2 Adapter Kit

Hennessy Industries, Inc.

Manufacturer of Ammco®, Coats® and BADA® Automobile Service Equipment, Tools and Accessories

1601 J.P. Hennessy Drive LaVergne, TN 37086-3565 800-688-6496 or 615-641-7533

Hennessy Canada: 2430 Lucknow Drive, Unite 9, Mississauga, Ontario L5S 1V3 905-672-9440

www.ammcoats.com